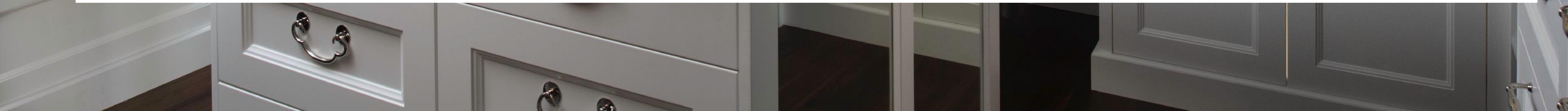




INCORPORATING LIGHTING INTO YOUR CLOSET OR KITCHEN DESIGN

By Michael Stubblefield





OBJECTIVES

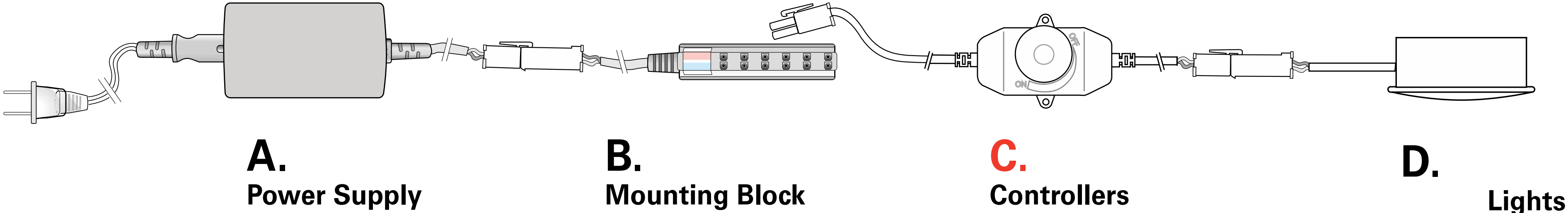
- Lighting systems and what to look for
- Lighting options
- Installation

QUALITY LIGHTING VENDOR

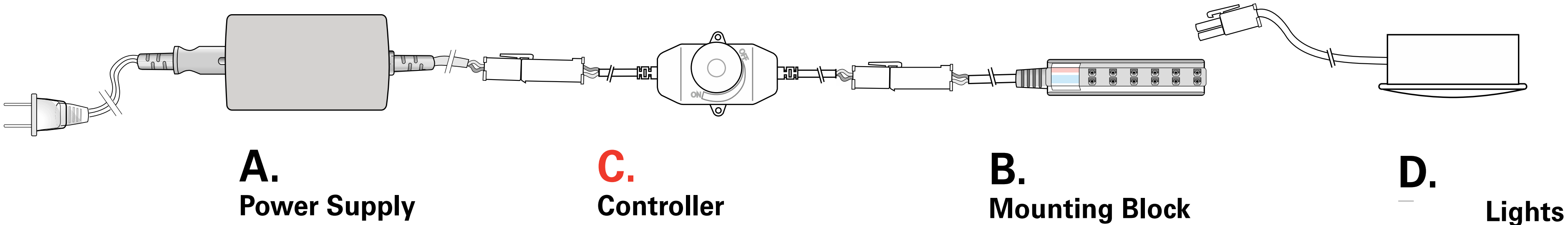
- Plug-and-play
- Binning and batch process
- Safety tests
- Provides a complete system of LED lights
- Diode life
- Many systems on the market

QUALITY LIGHTING VENDOR

Option 1: Up to six Controllers plugged into (1) Mounting Block

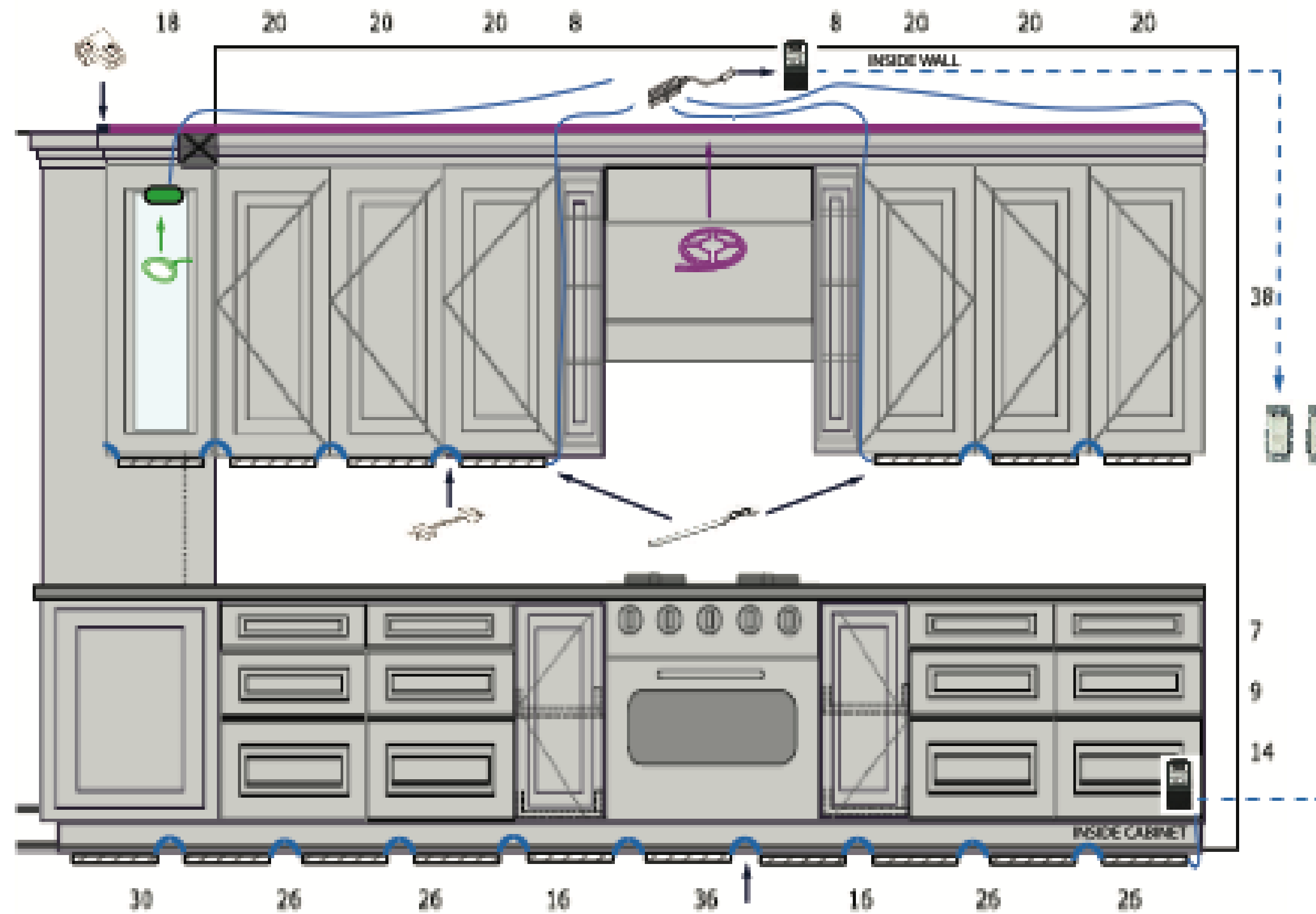


Option 2: One Controller plugged in before the Mounting Block



QUALITY LIGHTING VENDOR

- Free lighting layout service



LIGHTING OPTIONS

- Color temperatures



2700K
Warm White



3000K
Warm White



3500K
Warm to Neutral



5000K
Cool White



6500K
Daylight



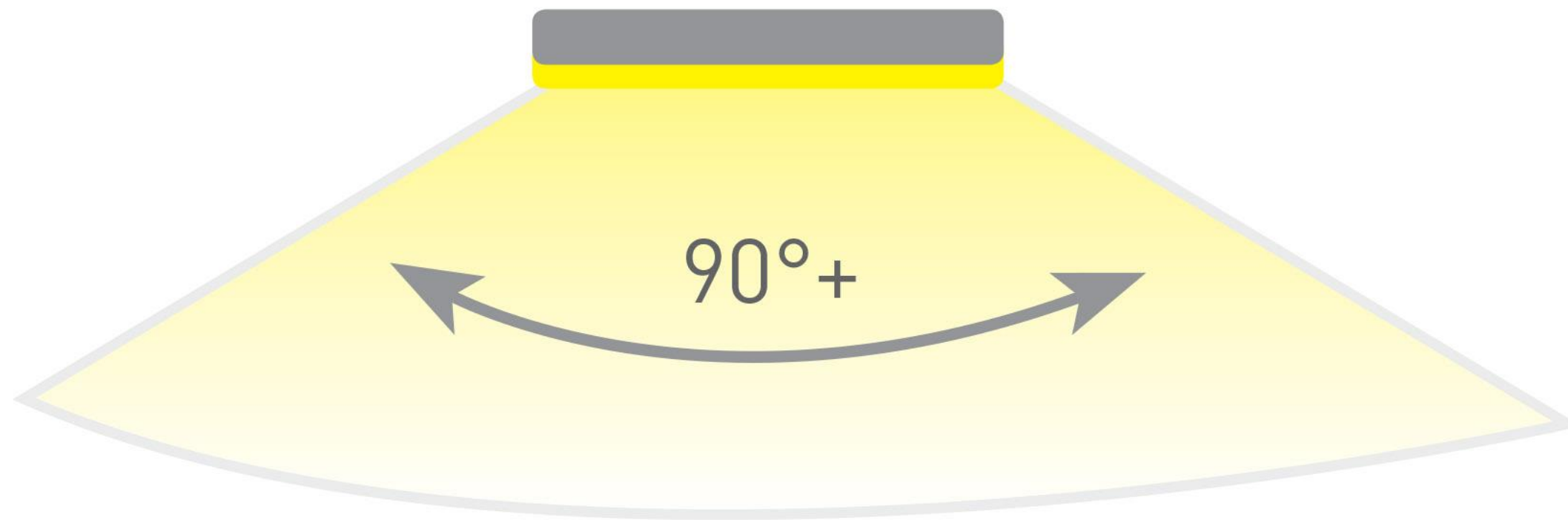
LIGHTING OPTIONS

- Puck lights
 - Most popular
 - Installation is important
 - Beam spread

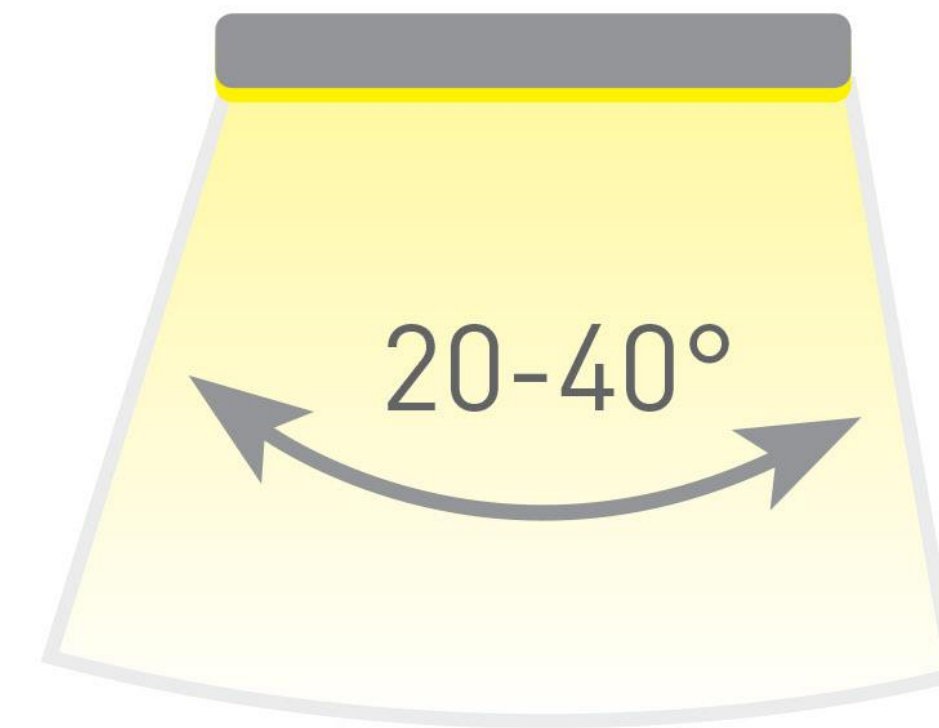
LIGHTING OPTIONS

- Beam spread

TASK:



SPOT:





LIGHTING OPTIONS

- Shelf lighting
- Diode reflection



LIGHTING OPTIONS

- Linear lights
 - No dark areas
 - Light spacing
 - COB/Luniform

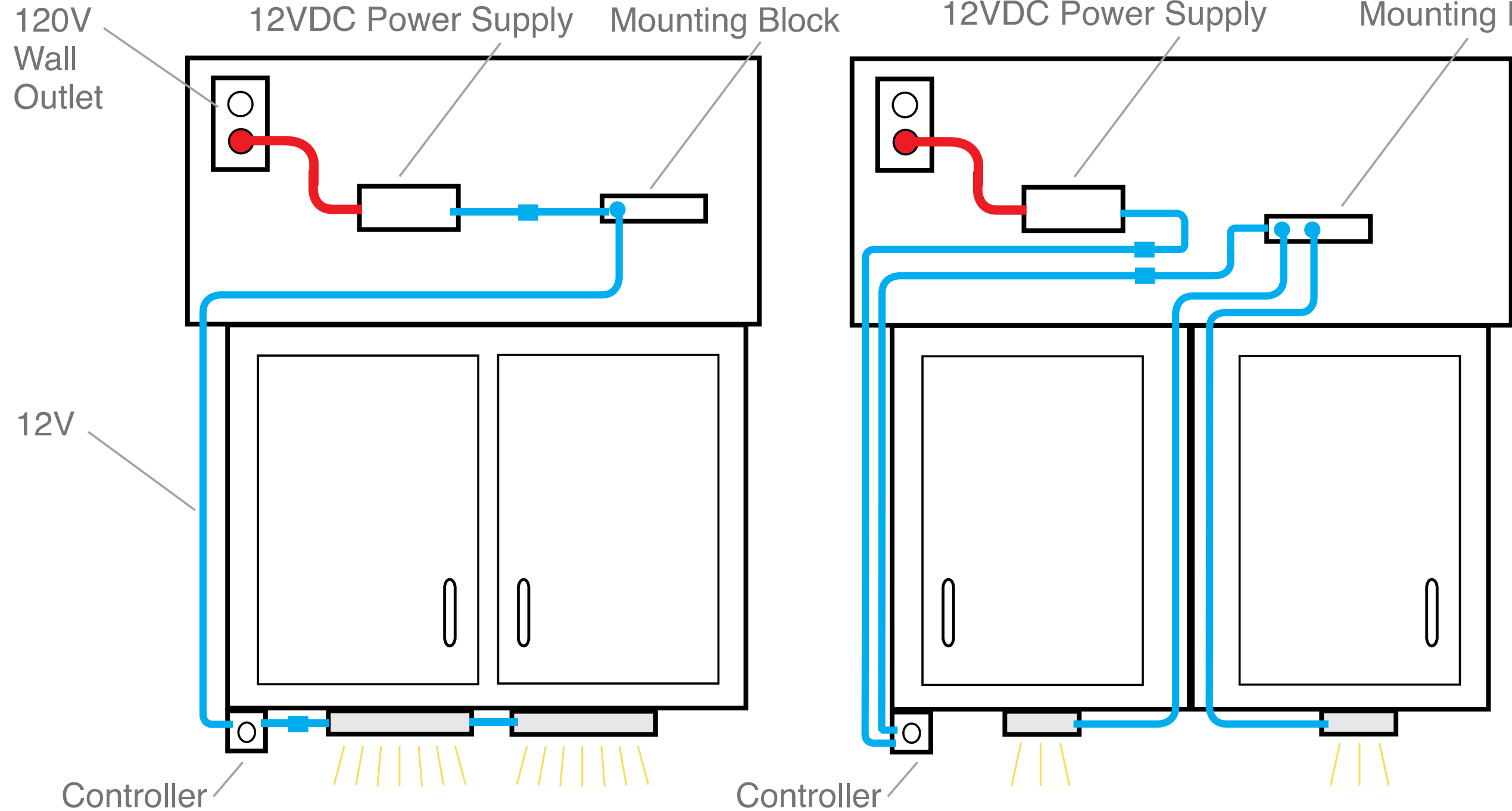


LIGHTING OPTIONS

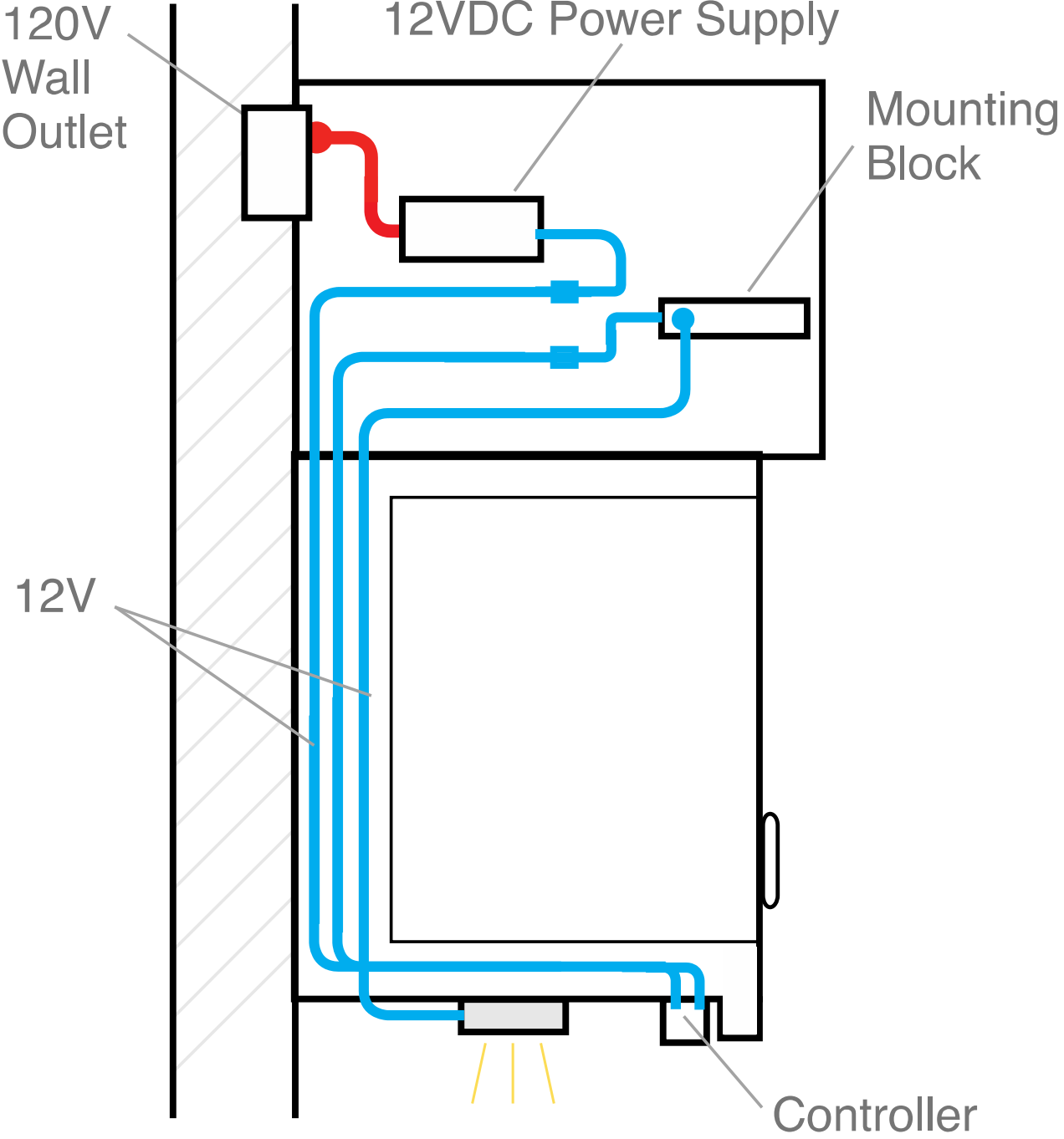
- Custom linear lights
 - Choices
 - Color temperatures / Wattage

LIGHTING OPTIONS

Typical Installation Showing One Controller for All Lights (Linear vs. Puck)

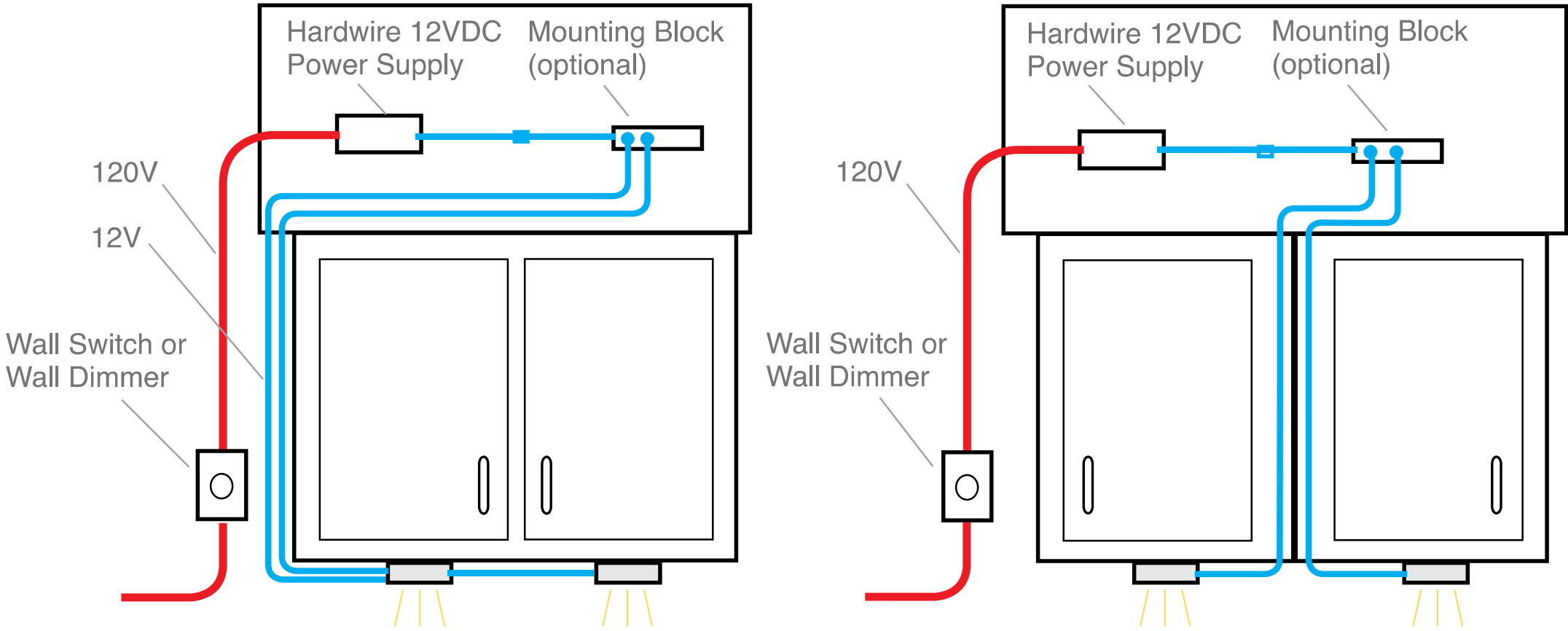


Side view (Puck Light Install)



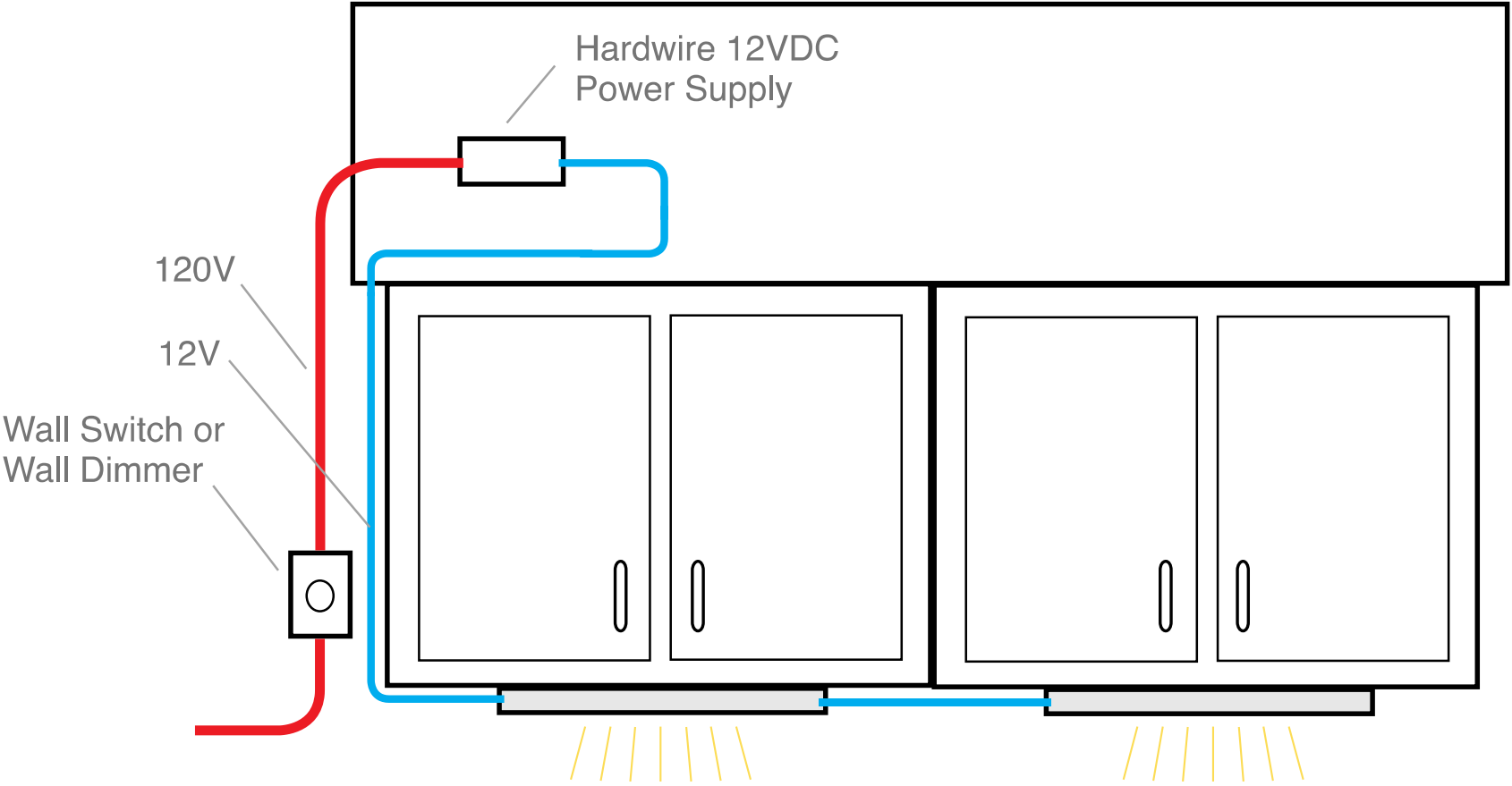
LIGHTING OPTIONS

Typical Hardwire Installation for 12V Pocket® Lights

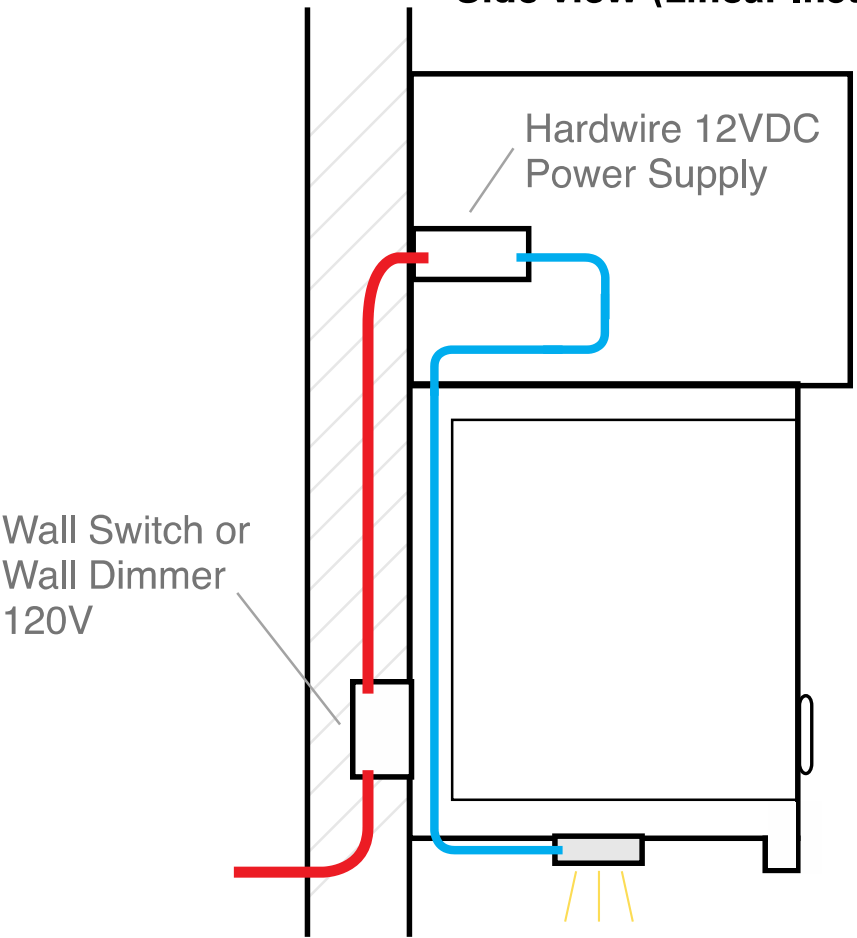


LEGEND:
Red = 120V Wiring
Blue = 12VDC Wiring

Typical Hardwire Installation for 12V Linear Lights



Side view (Linear Install)





LIGHTING OPTIONS

- Controllers
 - Dimmers, motion sensors, proximity sensors, door sensors, toggle on/off switches
 - Function on low voltage side
 - Mounting
 - Wireless controllers
 - LED compatible wall dimmers
 - You cannot dim a receptacle

INSTALLING LED LIGHTING

- Where to install the power supply?
 - Top of closet or cabinet
 - Crown molding
 - Other options
 - You cannot permanently conceal the power supply/driver



INSTALLING LED LIGHTING

- Wire channels
- Run your wire up or down the back of the cabinet
- Space between the cabinets

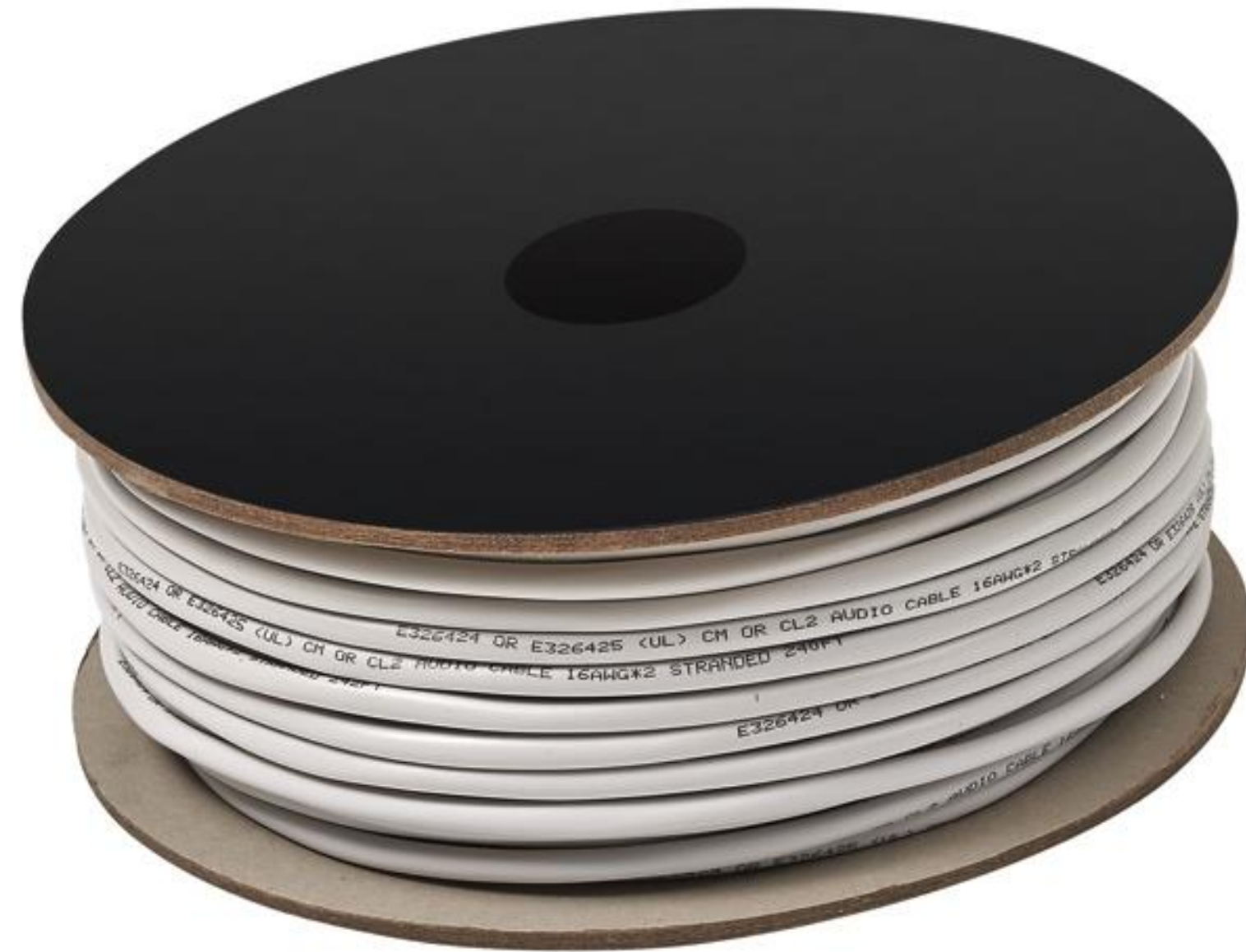


INSTALLING LED LIGHTING

- Starter cord wire coming out of the back of the light



INSTALLING LED LIGHTING



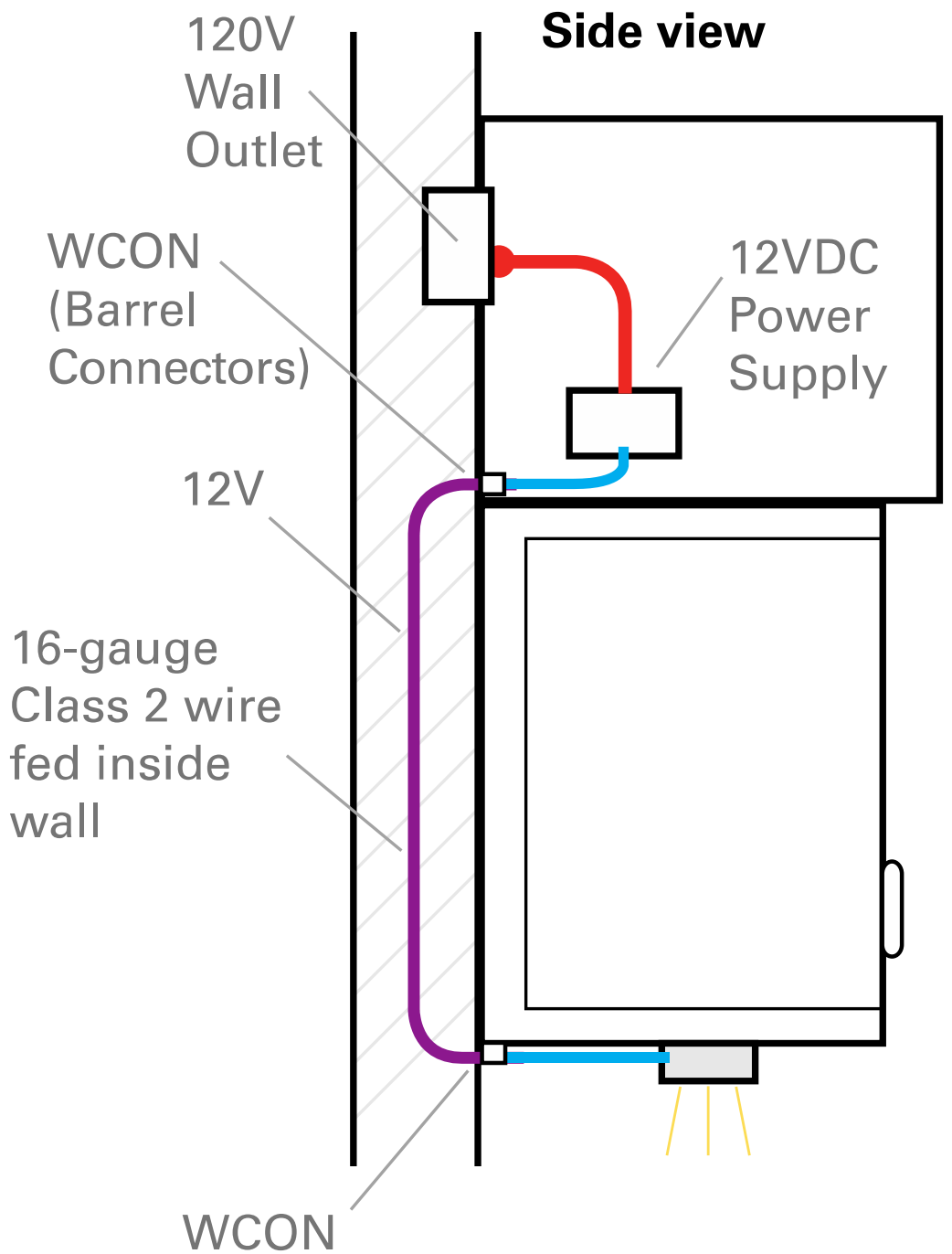
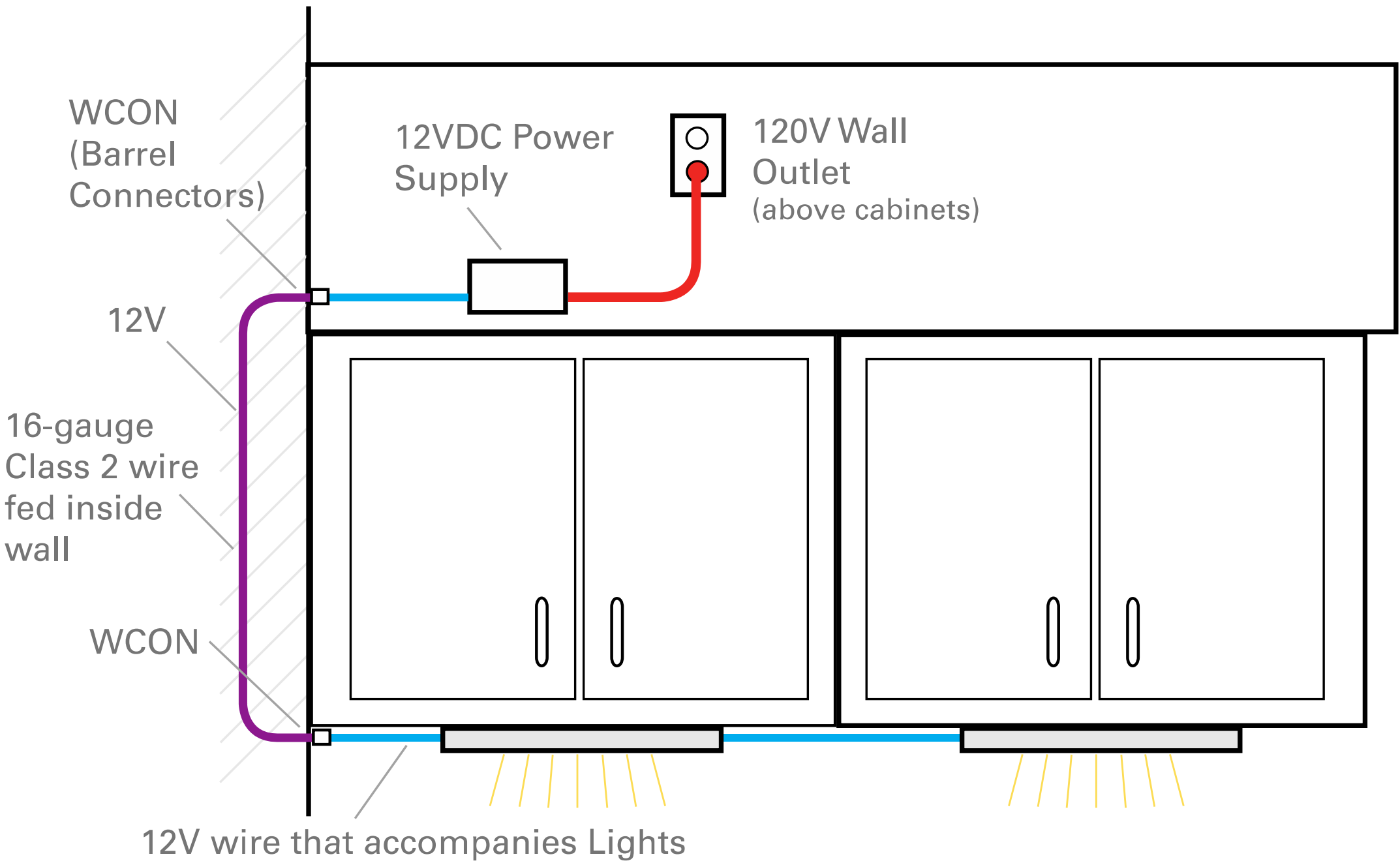
- In wall wiring
 - Class 2 wire
 - Connectors
 - Please check with your lighting vendor before cutting any wires

INSTALLING LED LIGHTING

IN-WALL Wiring:
Typical for FRAMELESS Cabinets
 (example installation of 12VDC Linear Lights)

Note: A licensed electrician should be consulted for wiring through walls and other permanent structures. When mounting and wiring a light system, follow all local electric codes and the National Electrical Code (NEC).

LEGEND:
Red = 120V
Purple = Class 2 Wire
Blue = 12VDC



GET TO KNOW YOUR QUALITY LIGHTING VENDORS

Let them do the work for you, until you are comfortable.